

MSD SHIFT LIGHT, PN 8952

This section covers the MSD Shift Light, PN 8952. The Light will activate at a desired rpm which is controlled by MSD's white RPM Modules. If no rpm module is installed in the Light, it will not turn on. The Light can be used with stock ignitions or with MSD Ignition Controls.

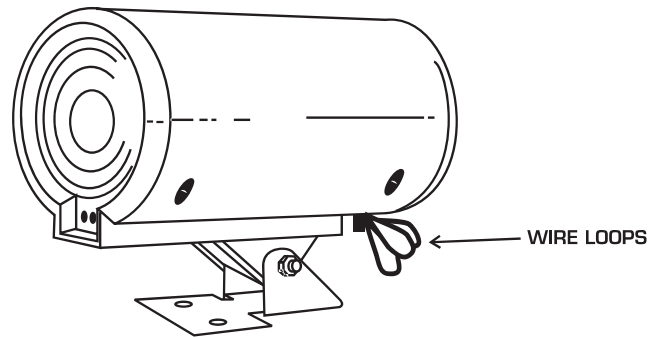
Wire Functions

- Red:** Connects to switched 12 volt source
- Black:** Connects to ground
- Green:** This is the rpm input wire that picks up engine rpm. It connects to the tach output terminal of an MSD Ignition. When used with inductive or factory ignitions it connects to the coil negative terminal.

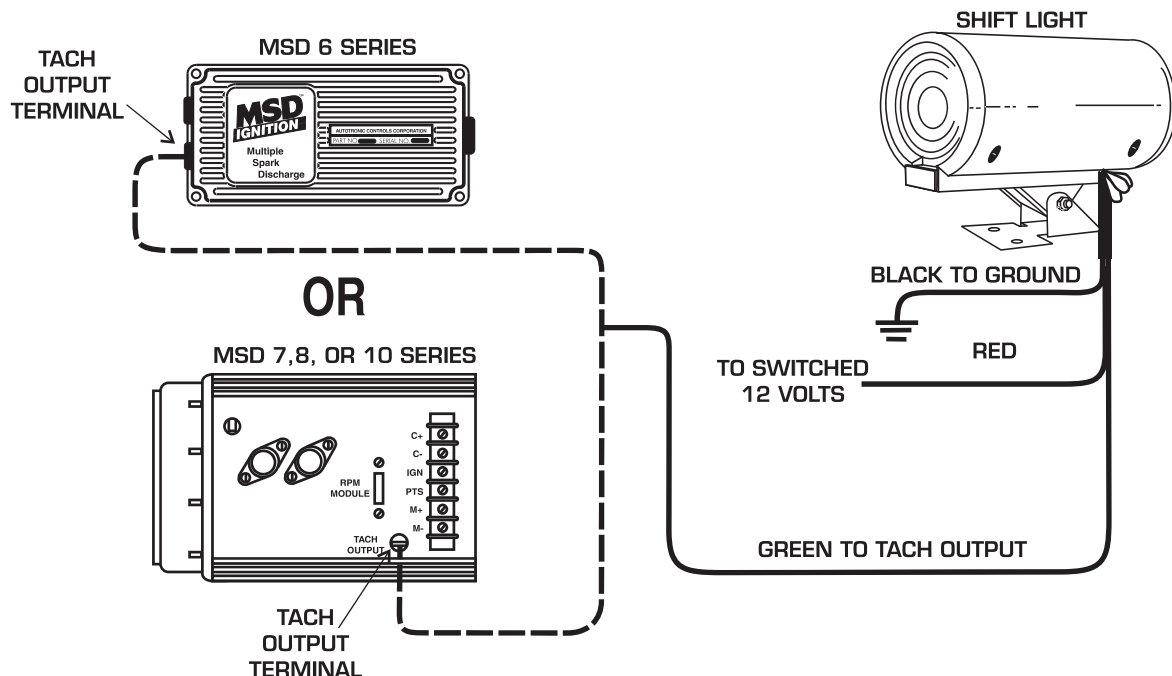
Cylinder Programming

The Shift Light is programmed for 8-cylinder operation. There are three wire loops, that need to be modified for use on other engine configuration. For a 6-cylinder engine, cut one loop. Cut two loops for 4-cylinder engines and three loops for two cylinder engines.

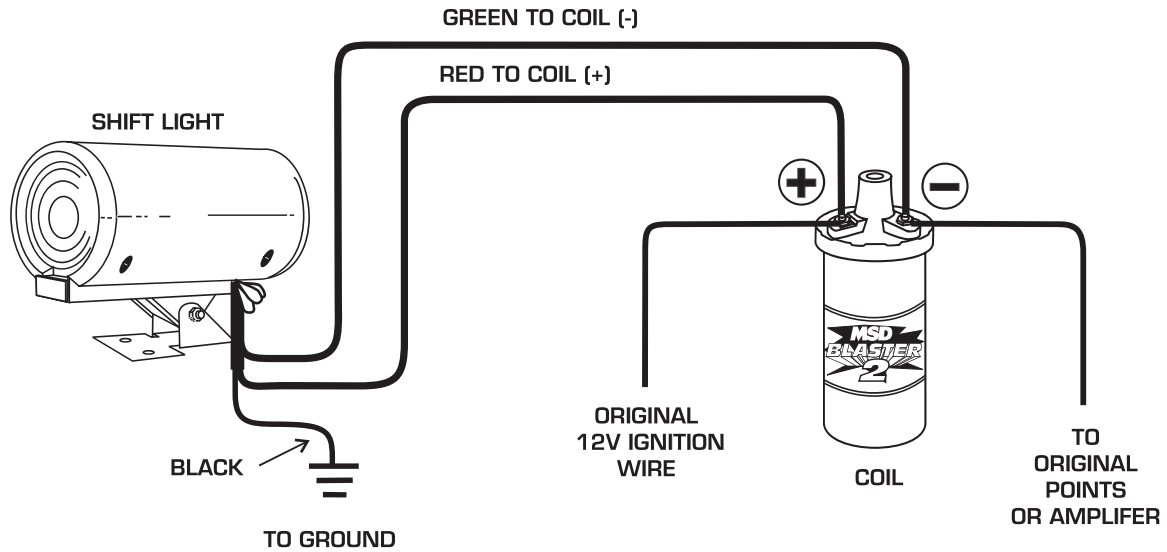
Note: Once installed, whenever the ignition is turned On, the Shift Light will flash to confirm operation.



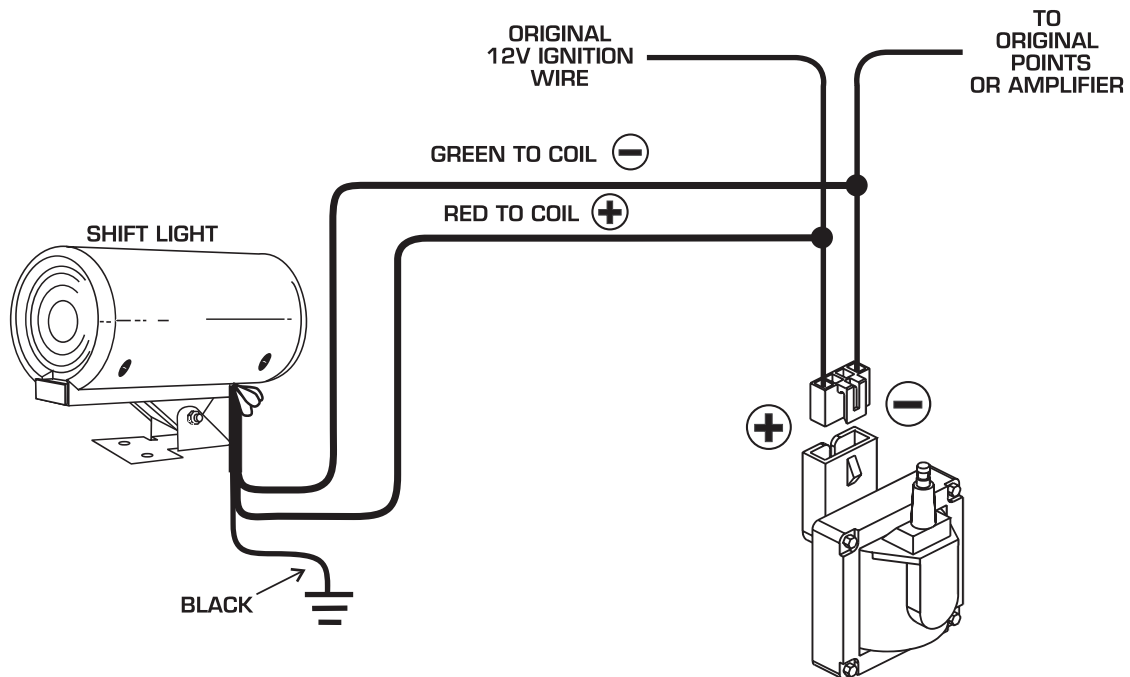
MSD SHIFT LIGHT, PN 8952, TO MSD IGNITION



MSD SHIFT LIGHT, PN 8952, TO POINTS/AMPLIFIER IGNITION

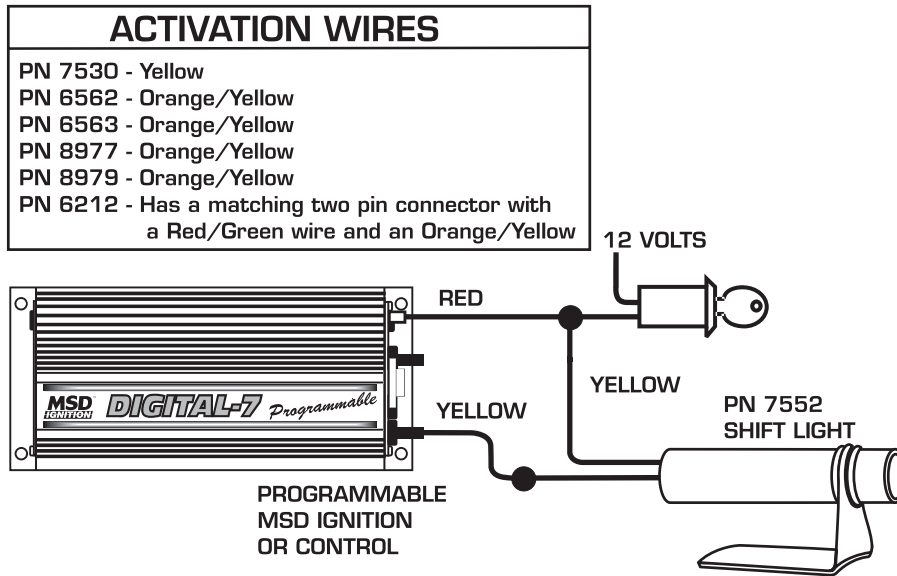


MSD SHIFT LIGHT, PN 8952, TO FORD TFI IGNITION



SHIFT LIGHT PN 7552

The MSD Shift Light, PN 7552, features a bright LED that will alert you to shift at an rpm point. The Shift Light requires a 12 volt source (maximum of 18 volts) and ground. It is activated when a ground is supplied to complete the circuit. There is no polarity to the Light's two Yellow wires. This LED system is not sensitive to polarity, unlike other LED circuits.



SHIFT LIGHT PN 7552 TO MSD RPM ACTIVATED SWITCH

